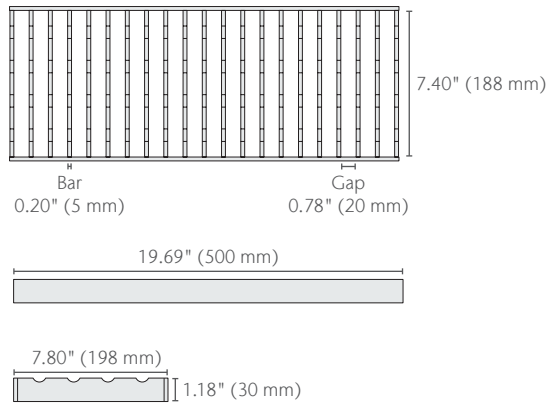


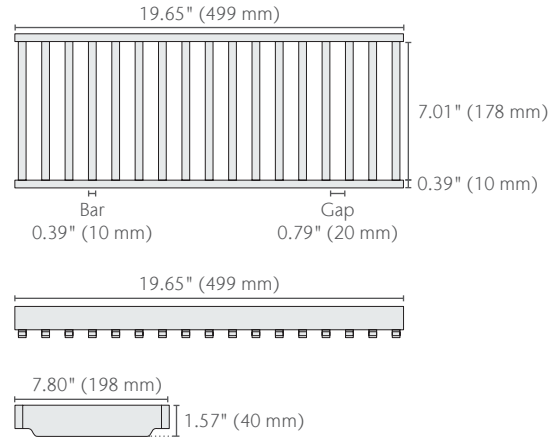
MOD200 Ladder Grate



C250 - 500 mm



E600 - 500 mm



Parts	Part No.	Grate Material	Weight lbs	Intake sq. in.	EN1433 Load Class
Ladder Grate C250 - 300 mm	414142	AISI 304	7.6	69.6	C250
	414192	AISI 316L	7.6	69.6	C250
Ladder Grate C250 - 500 mm	92214	AISI 304	12.8	114.8	C250
	92264	AISI 316L	12.8	114.8	C250
Ladder Grate C250 - 1000 mm	92215	AISI 304	25.0	231.3	C250
	92265	AISI 316L	25.0	231.3	C250
Ladder Grate E600 - 300 mm	138228	AISI 304	18.0	54.9	E600
	138231	AISI 316L	18.0	54.9	E600
Ladder Grate E600 - 500 mm	138229	AISI 304	29.7	79.9	E600
	138232	AISI 316L	29.7	79.9	E600
Ladder Grate E600 - 1000 mm	138230	AISI 304	51.5	182.1	E600
	138233	AISI 316L	51.5	182.1	E600

Specification Summary

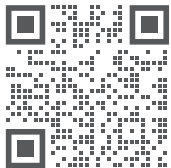
Used with ACO Modular 125 channels. Made from AISI 304 or AISI 316L. Load class per EN 1433.

ACO recommends checking local plumbing codes prior to installation.

ACO, Inc.

© January 2026 ACO, Inc.

All reasonable care has been taken in compiling the information in this document. All recommendations and suggestions on the use of ACO products are made without guarantee since the conditions of use are beyond the control of the company. It is the customer's responsibility to ensure that each product is fit for its intended purpose and that the actual conditions of use are suitable. ACO, Inc. reserves the right to change products and specifications without notice.



info@acousa.com
www.acousa.com

